



Medical wireless foot switch MFS MICROSCOPE SW2.4LE-MED Material no.: on request

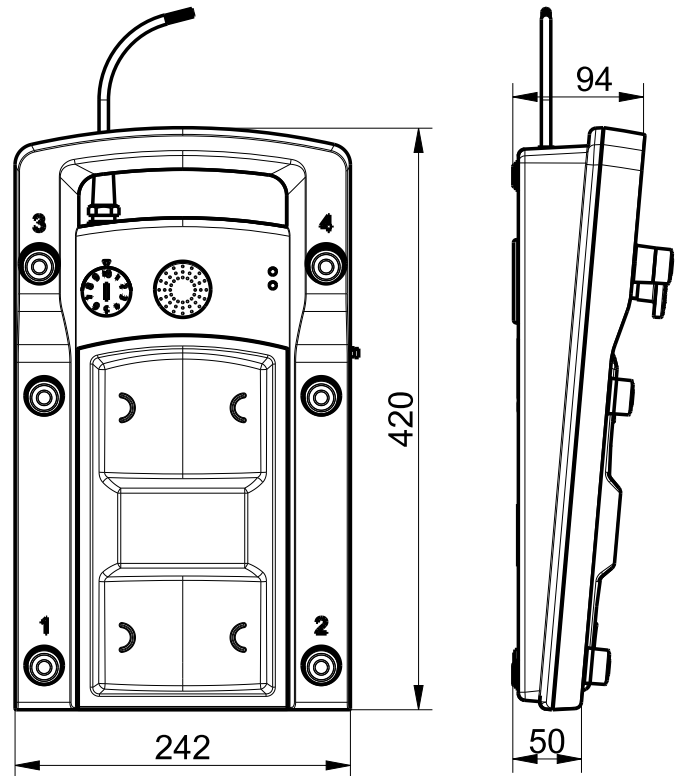
Product features

- Wireless signal transmission per steute wireless low energy
- Power supply via 3 commercially available batteries, type C
- Battery compartment can be opened by hand
- Zoom and focus functions with central foot rest
- Joystick for positioning microscope
- 6 additional buttons with programmable functions
- Very easy to clean

Notes

- Photo shows optional accessories

Dimensions



General technical data

Applied standards

IEC 60601-1, ANSI/AAMI ES60601-1, IEC 62304, IEC 60529

Enclosure

thermoplastic, shockproof

Rocker switch

robust, operating theatre approved silicone

Actuator

robust, operating theatre approved silicone

Antenna

internal antenna

Degree of protection

IPX8 (IEC/EN 60529)

Voltage source

3 commercially available batteries, type C

Switching system

rocker switch: 4 switching functions

push button: 6 switching functions

joystick: 4 switching functions (diagonal switching)

Mechanical life

> 250 000 operations

Conformity

Europe: CE EN 300 328; EN 62479; EN 301 489-1; EN 62368-1

USA: FCC Title 47 CFR, Part 15

Canada: IC RSS-247, Issue 1

Japan: ARIB STD-T66

Errors and omissions excepted.



Medical wireless foot switch
MFS MICROSCOPE SW2.4LE-MED
Material no.: on request

Wireless technology

Frequency

2.4 - 2.4835 GHz

Channel bandwidth

2 MHz

Wireless range

10 m (typical)

Output power

3 dBm - 7 dBm

Input sensitivity

-93 dBm

HF data rate

1 Mbps

Modulation principle

GFSK, adaptive frequency hopping of 40 channels

Interface data rate

115.2 kBd (UART)

Note

- Since this article is part of a medical product, it can only be validated in combination with the overall system. Proof of conformity to the Medical Device Regulation (MDR 2017/745) can therefore only be handled by the customer marketing the system. At the request of the customer, steute can affix a CE mark with the 4-digit number of the appropriate notified body.