



## Foot switch for surgical microscopes MFS MICROSCOPE-MED Material no.: on request

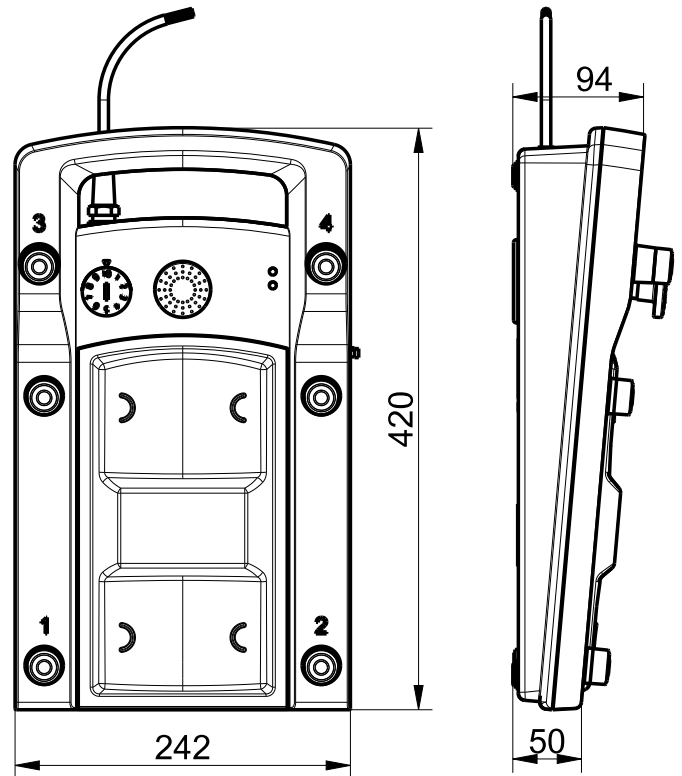
### Product features

- Zoom and focus functions with central foot rest
- Joystick for positioning microscope
- 6 additional buttons with programmable functions
- Very easy to clean
- Wireless signal transmission via steute wireless SW2.4LE-MED (optional)

#### Notes

- Photo shows optional accessories

### Dimensions



### Technical data

#### Applied standards

IEC 60601-1, ANSI/AAMI ES60601-1, IEC 60529

#### Enclosure

thermoplastic, shockproof

#### Rocker switch

robust, operating theatre approved silicone

#### Actuator

robust, operating theatre approved silicone

#### Degree of protection

IPX8 (IEC/EN 60529)

#### Switching system

rocker switch: 4 switching functions  
push button: 6 switching functions  
joystick: 4 switching functions (diagonal switching)

#### Mechanical life

> 250 000 operations

#### Connection

2 m cable, other lengths optionally available

#### Switching voltage

max. 25 VAC / 60 VDC

#### Switch-on current

max. 1 A

#### Switching capacity

max. 20 VA

Errors and omissions excepted.