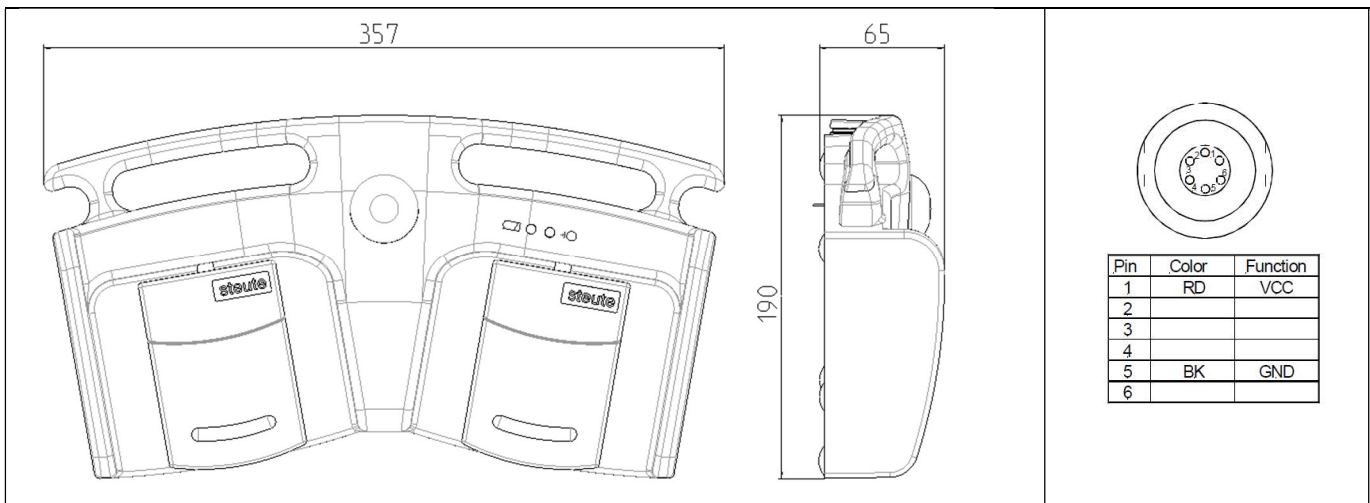




Produktname: MKF 2 2S/2S SW2.4LE-MED GP212
 Material-Nr.: 1423899

Specification

- baseplate GP212 in light grey RAL 7035 with additional bush button B7R(2PW) in black
- Black pedals
- receptacle-ODU 6pol (GX1F1C-P06MFD0-0001) with hinged cover
- LED indication for battery status and transmission
- Lithium-ion battery
- steute wireless (SW2.4LE)




Technical Data

Applied standards	IEC 60601-1 (Basic Safety) IEC 60601-1-2 IEC 60601-2-2 IEC 60601-2-22/ only applicable with protection handle IEC 60601-2-43 IEC 60529 (Degrees of protection) Note: see CSA certificate for corresponding revision level.
Existing certifications	CSA
Enclosure	Shockproof thermoplastic , self-extinguishing / Light grey RAL 7035
Pedal	Shockproof thermoplastic, self-extinguishing / black, RAL 9005
Pedal enclosure	shockproof thermoplastic, self-extinguishing / black
Actuator	1x B7, black
Degree of protection	IPX8 (1m / 35 Min.) according to DIN EN 60529
Contact element/material	Pedals: Reed/rhodium Actuator: microswitch/ gold-plated
Rated operating voltage (U _e)	Rechargeable battery: Li-Ion 3,6V / 2900mAh
Charging voltage	9 VDC – max. 600 mA
Mechanical lifetime	> 1 Mill. operations




Produktname: MKF 2 2S/2S SW2.4LE-MED GP212

Material-Nr.: 1423899

Radio specifications	
<u>Performance</u>	
Distance	10 m -30 m (with internal antenna, depends on spatial conditions and the surrounding)
Output rating	3 dBm (max. 7 dBm optional)
Input sensitivity	-93 dBm
Antenna	Internal antenna with U.FL-plug
<u>Radio technology</u>	
Frequency range	2402 to 2480 MHz
Chanel spacing	2 MHz
Modulation	GFSK, adaptive frequency hopping of 40 channels
<u>Applied radio standards</u>	
Europe	EN 300 328 V2.1.1, EN 301 489-1 V2.2.0, EN 301 489-17 V3.2.0
<u>Transmitter and radio module</u>	
USA	FC , Part 15C , single Modular, Identifier: XK5-SW24LE
Canada	RSS-247 Issue 1, Identifier: 5158A-SW24LE
Japan	ARIB STD-T66, Identifier: 204-650001
 Please note the instruction manual for the SW2.4LE system (D023336) (Document on request)	

Environmental conditions			
	Storage/Transport (without batteries)	Operating	Battery charging
Temperature range	-20 °C up to +60 °C	0 °C up to +45 °C	0 °C up to +40 °C
Relative humidity	10 % up to 100 %	10 % up to 100 %	10 % up to 100 %
Air pressure	500 hPa - 1060 hPa	700 hPa - 1060 hPa	800 hPa - 1060 hPa

General notes
<p>The foot switch as a component of a medical device can be evaluated only together in the overall system of the customer. Therefore the conformity evaluation including the classification of the overall system according to the Medical Device Directive 93/42/EEC respectively EU Medical Device Regulation 2017/745 must be carried out at the customer. In addition, validation can also only be carried out by the customer in the overall system.</p> <p>Furthermore, the intended use and the basic functions are verifiable only in interaction with the overall system. As a result, the customer must involve the footswitch in his risk management, his usability analysis, the verification of the electromagnetic compatibility and, if applicable, the verification of the biocompatibility.</p> <p> Please refer to the Technical Description (D031288) for Medical synthetic footswitch SW2.4LE-MED/ Powered by rechargeable battery</p>

Maintenance/cleaning
<ul style="list-style-type: none"> During cleaning, avoid wiping with a cloth under the pedal, because this may cause the springs to move out of position.

Safety instructions



Produktname: MKF 2 2S/2S SW2.4LE-MED GP212

Material-Nr.: 1423899

Despite careful production and inspection as well as redundant design of important components, an entirely safe function cannot be guaranteed at all times (in case of malfunction, for example, a switch contact can turn off incorrectly).
Risk of injury due to incorrect handling! · The plug connections must not be subjected to mechanical loads!
Components, especially pedals or other actuating elements, may not be disassembled or dismembered under any circumstances! If this happens the products need to be send back immediately.
Errors and omissions excepted.